

SECTION 33, TOWNSHIP 20 NORTH, RANGE 17 EAST, W.M.

EXISTING LEGAL DESCRIPTIONS

LOT 5d OF THAT CERTAIN SURVEY RECORDED SEPTEMBER 26th, 2002 IN BOOK 28 OF SURVEYS ON PAGE 30, UNDER AUDITOR'S FILE NO. 200209260019, RECORDS OF KITTITAS COUNTY, STATE OF WASHINGTON; BEING A PORTION OF THE NORTHWEST QUARTER OF SECTION 33, TOWNSHIP 20 NORTH, RANGE 17 EAST, W.M., KITTITAS COUNTY, WASHINGTON.

PARCEL F OF THAT CERTAIN SURVEY RECORDED APRIL 11, 2001 IN BOOK 26 OF SURVEYS, PAGES 44-45, UNDER AUDITOR'S FILE NO. 200104110027, RECORDS OF KITTITAS COUNTY, STATE OF WASHINGTON; BEING A PORTION OF THE NORTHWEST QUARTER OF SECTION 33, TOWNSHIP 20 NORTH, RANGE 17 EAST, W.M., KITTITAS COUNTY, WASHINGTON.

PARCEL 1 OF THAT CERTAIN SURVEY RECORDED APRIL 18, 2005 IN BOOK 31 OF SURVEYS, PAGE 58, UNDER AUDITORS FILE NO. 200504180112, RECORDS OF KITTITAS COUNTY, STATE OF WASHINGTON; BEING A PORTION OF THE NORTHWEST QUARTER OF SECTION 33, TOWNSHIP 20 NORTH, RANGE 17 EAST, W.M., KITTITAS COUNTY WASHINGTON.

LEGAL DESCRIPTIONS

LOT 5d OF THAT CERTAIN SURVEY RECORDED SEPTEMBER 23rd, 2005 IN BOOK 31 OF SURVEYS ON PAGE 194, UNDER AUDITOR'S FILE NO. 200509230035, RECORDS OF KITTITAS COUNTY, STATE OF WASHINGTON; BEING A PORTION OF THE NORTHWEST QUARTER OF SECTION 33, TOWNSHIP 20 NORTH, RANGE 17 EAST, W.M., KITTITAS COUNTY, WASHINGTON.

PARCEL F OF THAT CERTAIN SURVEY RECORDED SEPTEMBER 23rd, 2005 IN BOOK 31 OF SURVEYS, PAGE 194 UNDER AUDITOR'S FILE NO. 200509230035, RECORDS OF KITTITAS COUNTY, STATE OF WASHINGTON; BEING A PORTION OF THE NORTHWEST QUARTER OF SECTION 33, TOWNSHIP 20 NORTH, RANGE 17 EAST, W.M., KITTITAS COUNTY, WASHINGTON.

PARCEL 1 OF THAT CERTAIN SURVEY RECORDED SEPTEMBER 23rd, 2005 IN BOOK 31 OF SURVEYS, PAGE 194 UNDER AUDITOR'S FILE NO. 200509230035, RECORDS OF KITTITAS COUNTY, STATE OF WASHINGTON; BEING A PORTION OF THE NORTHWEST QUARTER OF SECTION 33, TOWNSHIP 20 NORTH, RANGE 17 EAST, W.M., KITTITAS COUNTY, WASHINGTON.

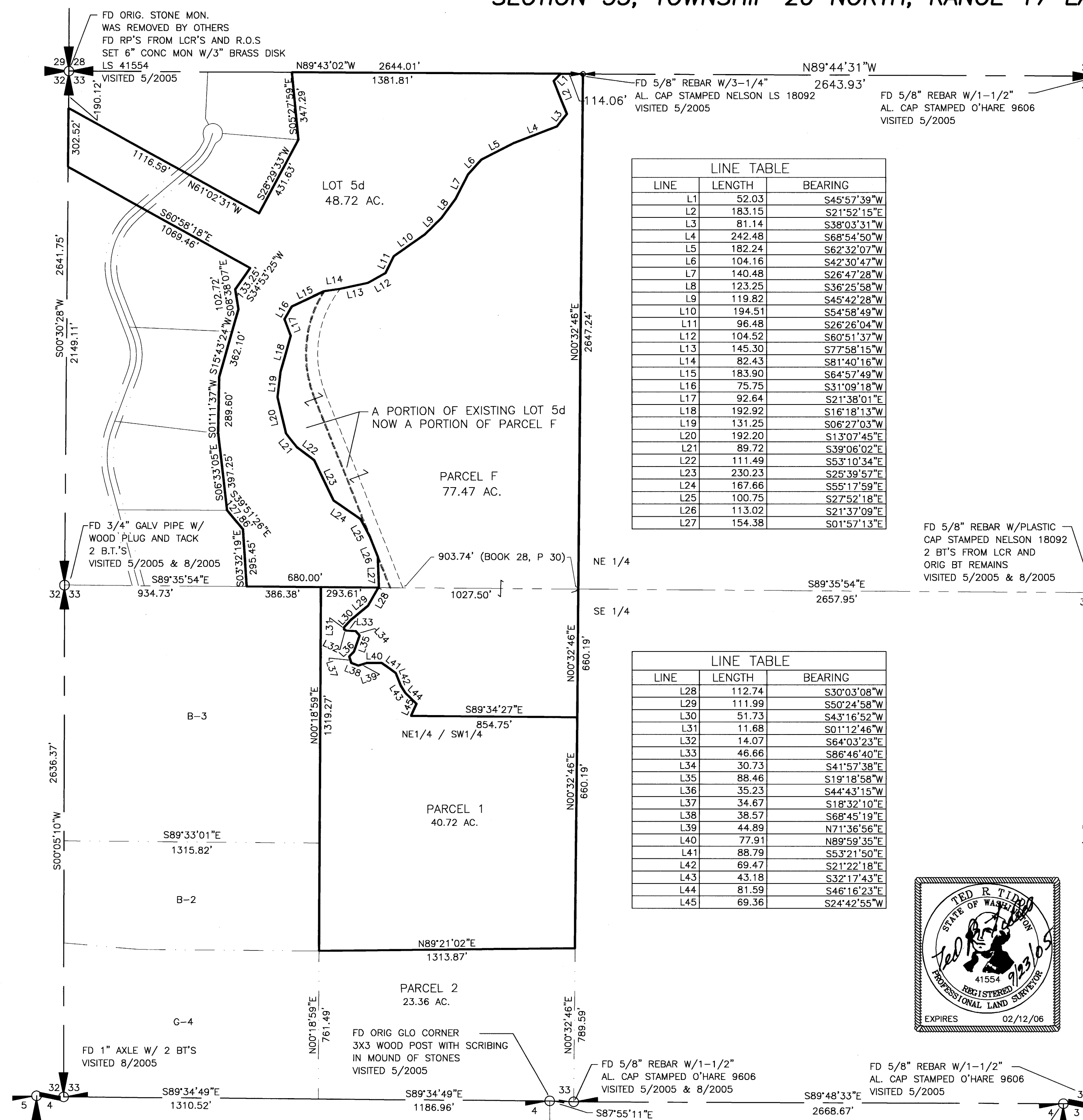
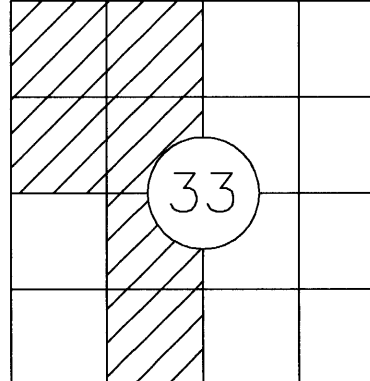
BASIS OF BEARING

WASHINGTON STATE PLANE COORDINATE SOUTH ZONE, NAD 83/91 PROJECT IS REFERENCED TO NGS / KITTITAS COUNTY GPS CONTROL POINTS 0095, 0096, 0097

SURVEY NOTES

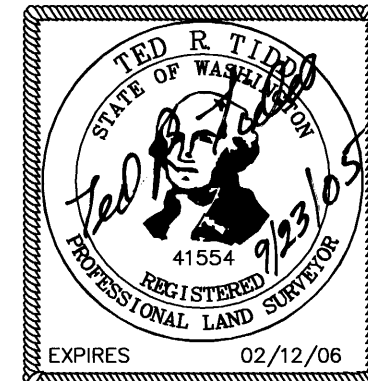
1. THE PURPOSE OF THIS SURVEY IS TO IDENTIFY THE EXTERIOR BOUNDARIES OF THE PARENT PARCELS AND THEN SEGREGATE AND ADJUST THE PARCELS AS SHOWN HEREON IN ACCORDANCE WITH THE KITTITAS COUNTY SUBDIVISION CODE.
2. WORK PERFORMED IN CONJUNCTION WITH THIS SURVEY UTILIZED THE FOLLOWING PROCEDURES AND EQUIPMENT:
 - A. CONVENTIONAL FIELD TRAVERSE AND GPS RTK SURVEY.
 - B. A SET 3BII ELECTRONIC TOTAL STATION
 - C. TOPCON HIPER LITE RTK GPS SYSTEM
 - D. ALL FIELD WORK COMPLIES WITH CURRENT STANDARDS AS OUTLINED IN WAC 332-130-070, .080 AND .090. ALL INSTRUMENTS CALIBRATED IN JULY OF 2005 AND MAINTAINED TO MANUFACTURE'S SPECIFICATIONS AS REQUIRED BY WAC 332-130-100.
3. SUBDIVISION INFORMATION SHOWN HEREON IS BASED UPON ACTUAL FIELD SURVEY PERFORMED IN MAY 2005 AND JULY 2005. THE LOCATION OF SWAUK CREEK IN THE NORTH HALF OF SECTION 33 WAS COMPILED FROM THE SURVEY RECORDED IN BOOK 26 OF SURVEYS, PAGE 44, RECORDS OF KITTITAS COUNTY, WASHINGTON UNDER AFN 200104110027. THE LOCATION OF THE THREAD OF SWAUK CREEK IN THE SOUTH HALF OF SECTION 33 WAS ASCERTAINED BY FIELD TRAVERSE.
4. EASEMENTS OF RECORD, IF ANY ARE NOT SHOWN.
5. PROPERTY CORNERS HAVE NOT BEEN SET FOR THIS SURVEY.
6. REFERENCE IS MADE TO THE FOLLOWING RECORDS OF SURVEY WHICH WERE USED TO ASCERTAIN THE BOUNDARIES SHOWN HEREON. THE BOUNDARY LINES WERE EXTENDED OR TRUNCATED TO FIT THE CURRENT SECTION SUBDIVISION LINES.
 - RECORD OF SURVEY, BOOK 26, PAGE 44.
 - RECORD OF SURVEY, BOOK 28, PAGE 30.
 - RECORD OF SURVEY, BOOK 31, PAGE 58.

SECTION LOCATION
SEC 33 T.20N R17E



LINE	LENGTH	BEARING
L1	52.03	S45°57'39"W
L2	183.15	S21°52'15"E
L3	81.14	S38°03'31"W
L4	242.48	S68°54'50"W
L5	182.24	S62°32'07"W
L6	104.16	S42°30'47"W
L7	140.48	S26°47'28"W
L8	123.25	S36°25'58"W
L9	119.82	S45°42'28"W
L10	194.51	S54°58'49"W
L11	96.48	S26°26'04"W
L12	104.52	S60°51'37"W
L13	145.30	S77°58'15"W
L14	82.43	S81°40'16"W
L15	183.90	S64°57'49"W
L16	75.75	S31°09'18"W
L17	92.64	S21°38'01"E
L18	192.92	S16°18'13"W
L19	131.25	S06°27'03"W
L20	192.20	S13°07'45"E
L21	89.72	S39°06'02"E
L22	111.49	S53°10'34"E
L23	230.23	S25°39'57"E
L24	167.66	S55°17'59"E
L25	100.75	S27°52'18"E
L26	113.02	S21°37'09"E
L27	154.38	S01°57'13"E

LINE	LENGTH	BEARING
L28	112.74	S30°03'08"W
L29	111.99	S50°24'58"W
L30	51.73	S43°16'52"W
L31	11.68	S01°12'46"W
L32	14.07	S64°03'23"E
L33	46.66	S86°46'40"E
L34	30.73	S41°57'38"E
L35	88.46	S19°18'58"W
L36	35.23	S44°43'15"W
L37	34.67	S18°32'10"E
L38	38.57	S68°45'19"E
L39	44.89	N71°36'56"E
L40	77.91	N89°59'35"E
L41	88.79	S53°21'50"E
L42	69.47	S21°22'18"E
L43	43.18	S32°17'43"E
L44	81.59	S46°16'23"E
L45	69.36	S24°42'55"W



RECORDER'S CERTIFICATE 200509230035
 Filed for record this 23rd day of Sep, 2005 at 1:04 PM in book 31 of Surveys at page 194 at the request of TED R. TIDD, Surveyor's Name. JERALD V. PETTIT, County Auditor by S. Higginbotham, Deputy County Auditor

SURVEYOR'S CERTIFICATE
 This map correctly represents a survey made by me or under my direction in conformance with the requirements of the Survey Recording Act at the request of PAT. DENEEN in SEP, 2005. TED R. TIDD, Certificate No. 41554

CENTRAL CASCADE SURVEYING, INC.
 301 W. 1ST STREET SUITE 100A CLE ELUM, WA 98922 (509) 674-5966 X112 (509) 260-0699

BOUNDARY LINE ADJUSTMENT / TAX PARCEL SEGREGATION
 PREPARED FOR MR. AND MRS. BRUCE COE AND CLE ELUM PINES EAST LLC
 KITTITAS COUNTY WASHINGTON
 SCALE: 1" = 400' PROJECT NO. DRAWING FILE NAME: SHEET 1 OF 1